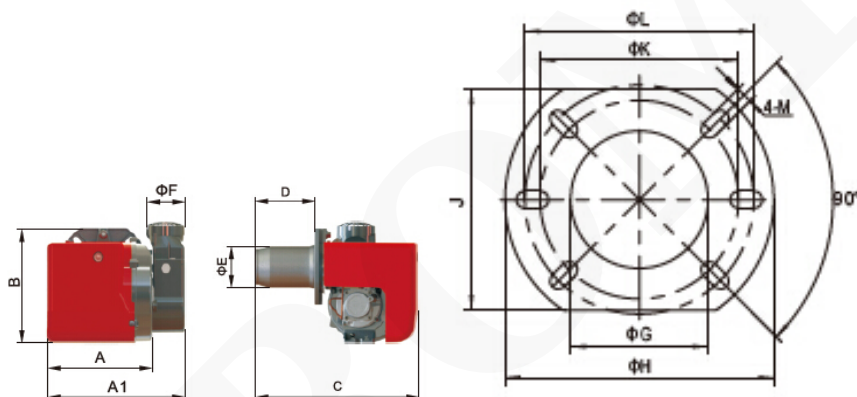


# Gas burners

Model	GB-10	GB-15
Power	48.8 ~ 99kW	49 ~ 108kW
Gas	NG / LPG	NG / LPG
The path and valve	1/2 "	3/4 "
Power	220-240V 1 Phase	220-240V 1 Phase
Engine power	0,1kW	0,1kW
Weight	10kg	10kg
Size of the package	420 x 315 x H 313 mm	420 x 315 x H 313 mm
<b>Catalog price</b>	<b>1100EUR</b>	<b>1200EUR</b>

## 12 months warranty



Model	A	A1	B	C	D	E	G	H	J	K	L	M
	mm	mm	mm	mm	mm	Φmm	Φmm	Φmm	mm	Φmm	Φmm	M
GB-10	243	310	246	338	250	97	107	194	166	140	168	4-M8
GB-15	243	310	246	338	250	97	107	194	166	140	168	4-M8

## Characteristics

1. Powered by natural gas or liquefied gas
2. Single-stage burner (on / off)

ROMER - Producent wysokiej jakości lakierni proszkowych

3. Gas/air mixer in the combustion tube
4. Possibility of obtaining optimal combustion conditions thanks to air regulation and the head
5. No need to remove the entire flange for maintenance, the burner can be easily disassembled.
6. Manual flow adjustment
7. One flange and one insulating pad for connection to the exchanger
8. Air inlet manually adjustable with a deflector
9. Single-phase motor powering the pump and blower
10. Flame detector - ionization electrode
11. Degree of protection IP 40
12. Quiet air intake
13. Plastic housing

[Gas burner. BTG 12 L300 \(35 - 115kW\) without track](#)

Kod: 4401

list price

5116.61 PLN

{netto}

6293.43 PLN

{brutto}

Gas burner. BTG 12 L300 (1/2" track) Complete

Kod: 5599

list price

7076.16 PLN

{netto}

8703.68 PLN

{brutto}

Riello BS2TXL + MBD405 gas burner with a long barrel

Kod: 9053

list price

7862.40 PLN

{netto}

9670.75 PLN

{brutto}

The product has been added to the cart!

[Continue shopping](#) [Go to cart](#)